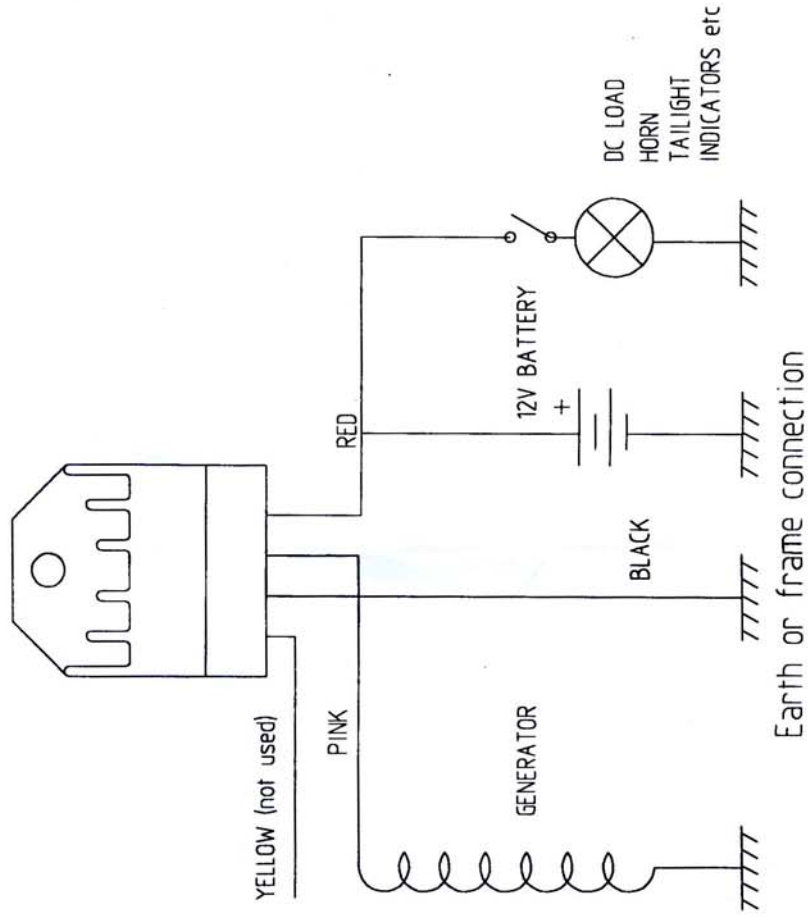


V-09376 Regler AC 12V

Connections shown for generator with a single output +earth .
 The generator output is converted to DC to charge the battery.
 For bikes with 2 outputs from the generator ie many Hondas models
 which have a pink and yellow connect the yellow to earth.



Connections shown for a split generator coil ie there is two outputs +earth
 DC circuit for battery charging and separate AC circuit for the lighting

